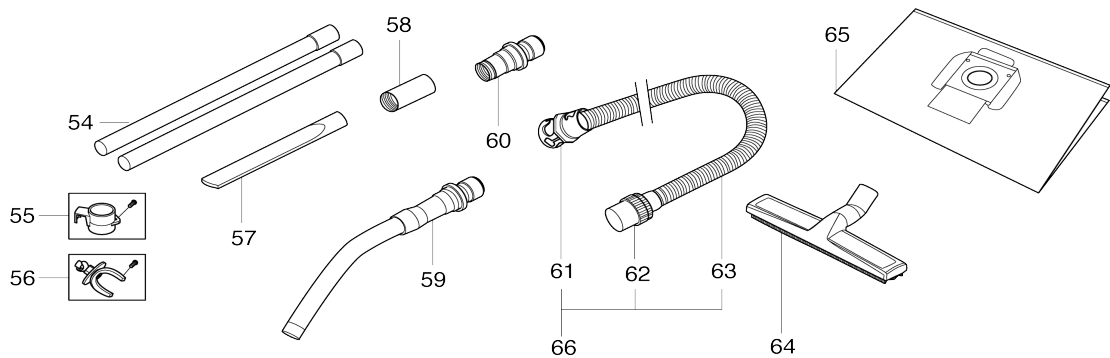
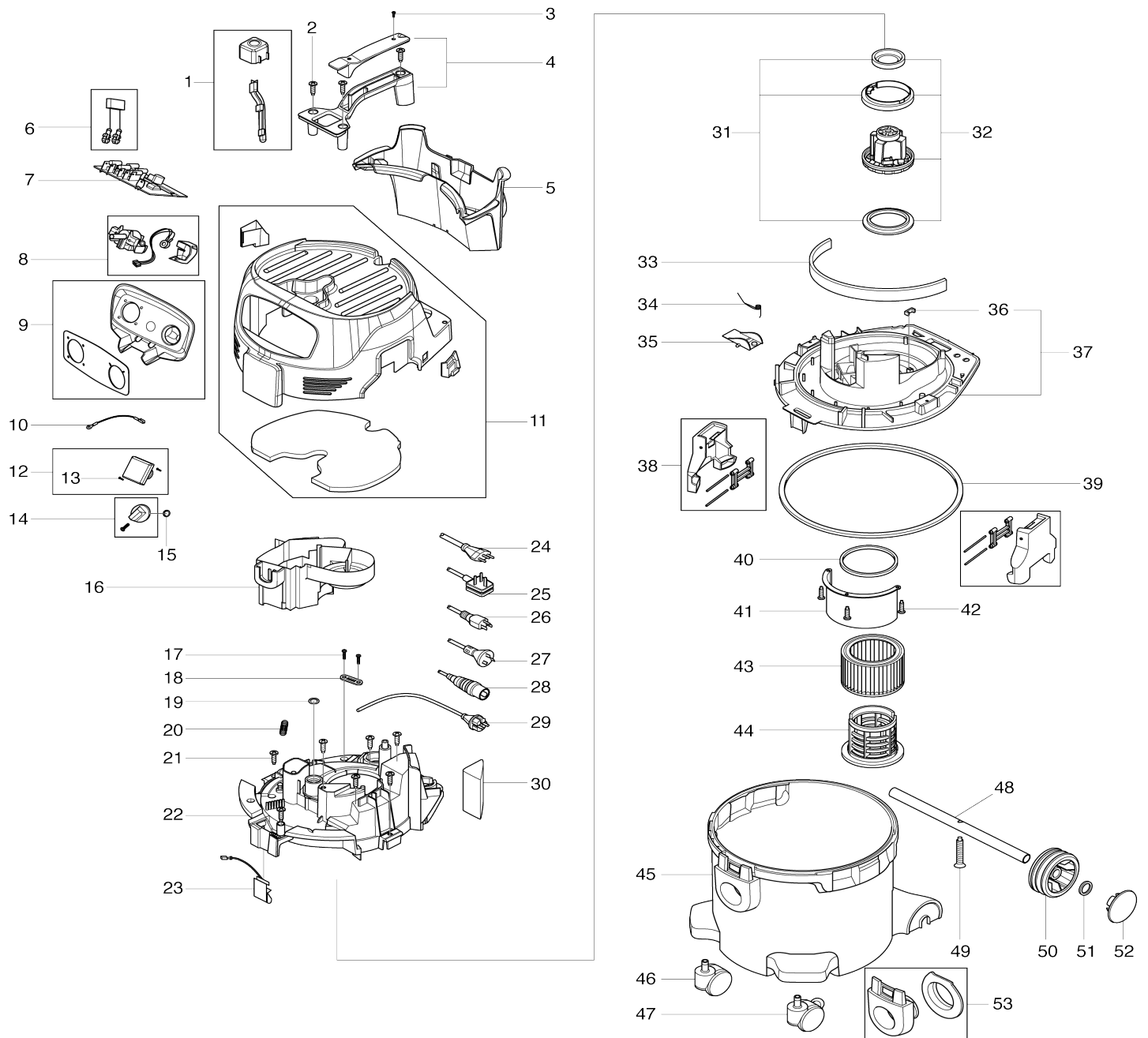


Model No.VC3012L ASPIRATEUR 1200W 30L CLASSEL +ACC



046	W46298	CASTOR 60		1	*		
046-1	W107415105	CASTOR 60	O	1			
047	W302000557	CASTOR 60 WITH BRAKE		1			
048	W302004022	WHEEL AXLE		1			
049	W107400063	SCREW 5X35		1			
050	W302000465	WHEEL 100		2			
051	W47302	CLAMPING RING FOR WHEEL		2			
052	W107417286	WHEEL CAP MAKITA BLUE		2			
053	W107402742	FITTING WITH CLAMPING PLATE		1			
054	P-70437	EXTEN. TUBES 36X505(SET 2)		1			
055	W302004027	TUBE HOLDER-HOOK (KIT)		1			
056	W302004018	TUBE HOLDER-SNAP (KIT)		1			
057	W6084	CREVICE NOZZLE 35x300		1			
058	W14682	TOOL NOZZLE 32/TOOL ADAPTE R		1	*		
058-1	W107418688	TOOL ADAPTER 38	<	1			
059	P-70346	CURVED HAND TUBE INOX		1			
060	P-70378	TOOL ADAPTER 27 QUICKSYSTE M		1			
061	W46947	HOSE CONNECTOR FOR CLICK SY STE		1	*		
061-1	W107417866	HOSE CONNECTOR CLICK SYSTE M 32	O	1			
062	W30928	HOSE SLEEVE 32/50 AS		1			
063	W107417287	SUCTION HOSE 32MMx4M BLAC K AS		1			
064	P-81789	FLOOR NOZZLE D36X300 WET/D RY		1			
065	P-70219	FILTER ELEMENT		1	*		
065-1	P-70194	FILTERBAG 446L(SET 5) PAPER	X	1	*		
065-2	P-84078	FLEECE FILTER BAG VC3012(5PCS)	O	1			
066	P-84084	SUCTION HOSE 32MM4M BLK AS CPL		1			
D10		INC. 61-63					
A01	W107418678	TOOL ADAPTOR 22 REGULATION		1			

Veuillez indiquer les pièces n ° lorsque votre commande.

Date d'impression 07/06/2024