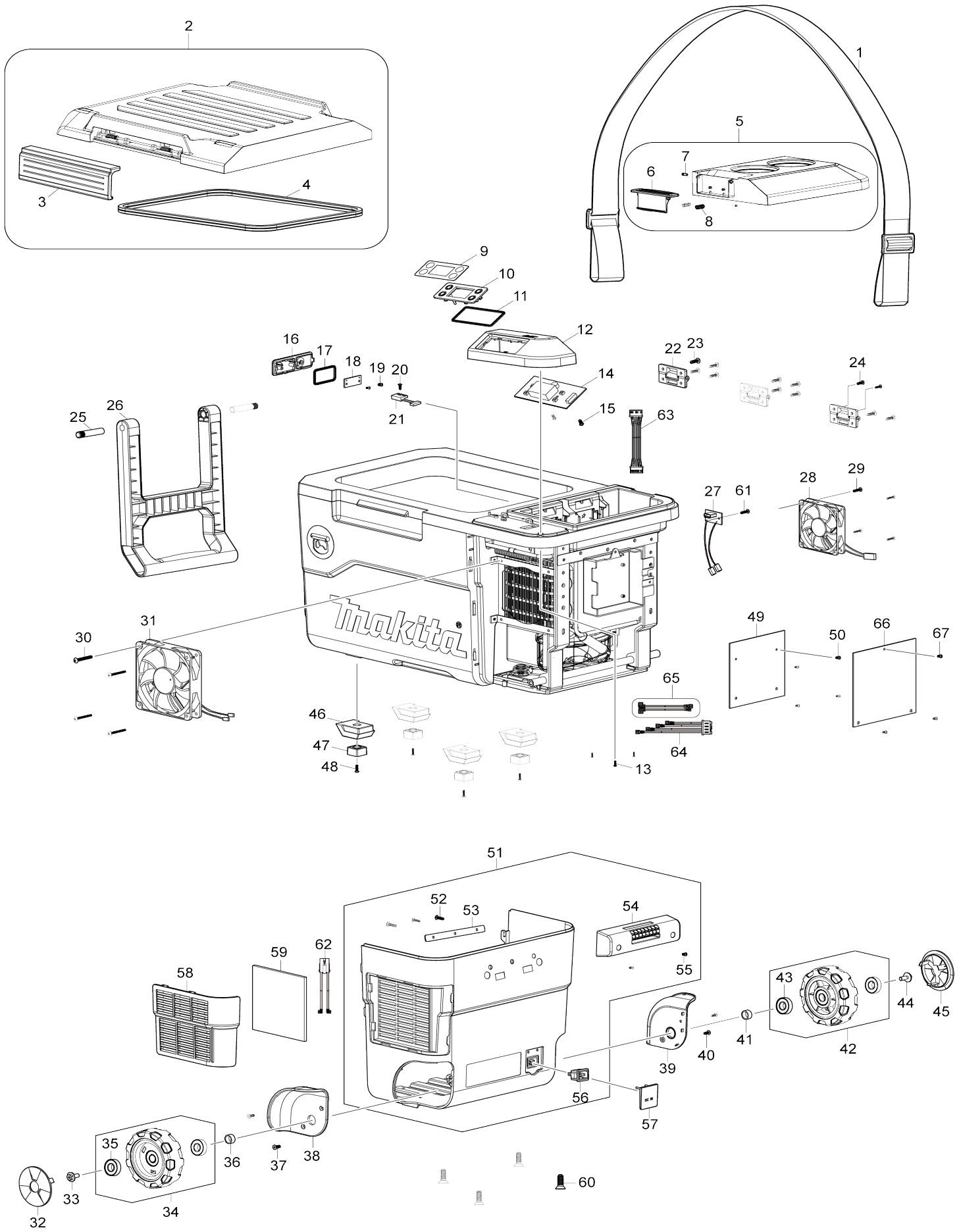


# Model No.DCW180 CORDLESS COOLER & WARMER BOX



# Model No.DCW180 CORDLESS COOLER & WARMER BOX

| Numéro d'article | N ° de pièces | Description                    | Interchangeabilité | Q'ty | Nouvelle / ancienne | Note 1 | Note 2 |
|------------------|---------------|--------------------------------|--------------------|------|---------------------|--------|--------|
| 001              | A-71093       | SHOULDER BELT                  |                    | 1    |                     |        |        |
| 002              | WL00000004    | TOP COVER ASSY                 |                    | 1    |                     |        |        |
| C10              | WL00000315    | CAUTION LABEL                  |                    | 1    |                     |        |        |
| D10              |               | INC. 3,4                       |                    |      |                     |        |        |
| 003              | WL00000005    | HANDLE A                       |                    | 1    |                     |        |        |
| 004              | WL00000006    | SEALING                        |                    | 1    |                     |        |        |
| 005              | WL00000007    | BATTERY COVER                  |                    | 1    |                     |        |        |
| D10              |               | INC. 6,7,8                     |                    |      |                     |        |        |
| 006              | WL00000008    | HANDLE B                       |                    | 1    |                     |        |        |
| 007              | WL00000009    | SHAFT 3MM (BATTERY BOX HANDLE) |                    | 2    |                     |        |        |
| 008              | WL00000010    | COMPRESSION SPRING 5MM         |                    | 2    |                     |        |        |
| 009              | WL00000072    | CONTROL FILM B                 |                    | 1    |                     |        |        |
| 010              | WL00000012    | BUTTON PCB                     |                    | 1    |                     |        |        |
| 011              | WL00000013    | SEALING B                      |                    | 1    |                     |        |        |
| 012              | WL00000014    | CONTROL PANEL                  |                    | 1    |                     |        |        |
| 013              | WL00000015    | TAPPING SCREW 3X10             |                    | 3    |                     |        |        |
| 014              | WL00000016    | CONTROL PCB                    |                    | 1    |                     |        |        |
| 015              | WL00000017    | TAPPING SCREW 3X8              |                    | 2    |                     |        |        |
| 016              | WL00000018    | THERMOSTAT TOP COVER           |                    | 1    |                     |        |        |
| 017              | WL00000019    | SEALING C                      |                    | 1    |                     |        |        |
| 018              | WL00000020    | LIGHT BOARD ASSY               |                    | 1    |                     |        |        |
| 019              | WL00000017    | TAPPING SCREW 3X8              |                    | 2    |                     |        |        |
| 020              | WL00000015    | TAPPING SCREW 3X10             |                    | 1    |                     |        |        |
| 021              | WL00000021    | MAGNETIC SWITCH WITH CABLE     |                    | 1    |                     |        |        |
| 022              | WL00000022    | HINGE                          |                    | 3    |                     |        |        |
| 023              | WL00000023    | TAPPING SCREW 4X16             |                    | 10   |                     |        |        |
| 024              | WL00000024    | TAPPING SCREW 4X12             |                    | 2    |                     |        |        |
| 025              | WL00000025    | SHAFT 10MM (DRAG HANDLE)       |                    | 2    |                     |        |        |
| 026              | WL00000026    | DRAG HANDLE                    |                    | 1    |                     |        |        |
| 027              | WL00000027    | USB PCB WITH CABLE             |                    | 1    |                     |        |        |
| 028              | WL00000028    | FAN A WITH CABLE               |                    | 1    | *                   |        |        |
| 028-1            | WL00000028    | FAN A WITH CABLE               | O                  | 1    | *                   |        |        |
| 028-2            | WL00000432    | FAN A WITH CABLE               | O                  | 1    |                     |        |        |
| 029              | WL00000029    | PAN HEAD SCREW M4X35           |                    | 4    |                     |        |        |
| 030              | WL00000029    | PAN HEAD SCREW M4X35           |                    | 4    | *                   |        |        |
| 030-1            | WL00000029    | PAN HEAD SCREW M4X35           | O                  | 2    |                     |        |        |
| 031              | WL00000030    | FAN B WITH CABLE               |                    | 1    | *                   |        |        |
| 031-1            | WL00000030    | FAN B WITH CABLE               | O                  | 1    | *                   |        |        |
| 031-2            | WL00000264    | FAN                            | O                  | 1    |                     |        |        |
| 032              | WL00000031    | WHEEL COVER                    |                    | 1    |                     |        |        |
| 033              | WL00000032    | SCREW M6X16 WITH WASHER        |                    | 1    |                     |        |        |
| 034              | WL00000033    | WHEEL ASSY                     |                    | 1    |                     |        |        |
| D10              |               | INC. 35                        |                    |      |                     |        |        |
| 035              | WL00000034    | BEARING FOR SHAFT              |                    | 2    |                     |        |        |
| 036              | WL00000035    | SHAFT SLEEVE 12MM              |                    | 1    | *                   |        |        |
| 036-1            | WL00000433    | SHAFT SLEEVE 12MM              | O                  | 1    |                     |        |        |
| 037              | WL00000036    | COUNTERSUNK TAPPING SCREW      |                    | 2    |                     |        |        |

|       |            |                                   |   |   |   |  |
|-------|------------|-----------------------------------|---|---|---|--|
|       |            | 4X12                              |   |   |   |  |
| 038   | WL00000037 | LEFT WHEEL COVER                  |   | 1 |   |  |
| 039   | WL00000038 | RIGHT WHEEL COVER                 |   | 1 |   |  |
| 040   | WL00000036 | COUNTERSUNK TAPPING SCREW<br>4X12 |   | 2 |   |  |
| 041   | WL00000035 | SHAFT SLEEVE 12MM                 |   | 1 | * |  |
| 041-1 | WL00000433 | SHAFT SLEEVE 12MM                 | O | 1 |   |  |
| 042   | WL00000033 | WHEEL ASSY                        |   | 1 |   |  |
| D10   |            | INC. 43                           |   |   |   |  |
| 043   | WL00000034 | BEARING FOR SHAFT                 |   | 2 |   |  |
| 044   | WL00000032 | SCREW M6X16 WITH WASHER           |   | 1 |   |  |
| 045   | WL00000031 | WHEEL COVER                       |   | 1 |   |  |
| 046   | WL00000039 | FOOT                              |   | 4 |   |  |
| 047   | WL00000040 | FOOT PAD                          |   | 4 |   |  |
| 048   | WL00000041 | TAPPING SCREW 4X20                |   | 4 |   |  |
| 049   | WL00000042 | POWER PCB ASSY                    |   | 1 |   |  |
| 050   | WL00000017 | TAPPING SCREW 3X8                 |   | 4 |   |  |
| 051   | WL00000043 | REAR COVER ASSY                   |   | 1 |   |  |
| D10   |            | INC. 52-56                        |   |   |   |  |
| 052   | WL00000044 | TAPPING SCREW 4X12                |   | 3 |   |  |
| 053   | WL00000045 | HANDLE STRENGTHEN IRON            |   | 1 |   |  |
| 054   | WL00000046 | LIFTED HANDLE R                   |   | 1 |   |  |
| 055   | WL00000047 | TAPPING SCREW 4X12                |   | 2 |   |  |
| 056   | WL00000048 | DC IN SOCKET                      |   | 1 |   |  |
| 057   | WL00000049 | DC IN COVER                       |   | 1 |   |  |
| 058   | WL00000050 | DUST PROOF COVER                  |   | 1 |   |  |
| 059   | WL00000051 | FILTER SPONGE                     |   | 1 |   |  |
| 060   | WL00000052 | COUNTERSUNK TAPPING SCREW<br>4X18 |   | 4 |   |  |
| 061   | WL00000067 | SCREW ST3X12                      |   | 2 |   |  |
| 062   | WL00000068 | POWER CONNECTION WIRE             |   | 1 |   |  |
| 063   | WL00000069 | CONTROLLING PCB WIRE              |   | 1 |   |  |
| 064   | WL00000070 | COMPRESSOR PCB WIRE               |   | 1 |   |  |
| 065   | WL00000071 | COMPRESSOR INPUT WIRE             |   | 1 |   |  |
| A01   | WL00000058 | AC ADAPTOR ASSY C                 |   | 1 |   |  |
| C10   | WL00000063 | AC POWER CORD                     |   | 1 |   |  |
| A02   | WL00000002 | CIGAR LIGHTER DC 12-24V           |   | 1 |   |  |
| C10   | WL00000056 | FUSE                              |   | 1 |   |  |

Veuillez indiquer les pièces n ° lorsque votre commande.

Date d'impression 07/06/2024